

Dual US

V3 KNX - in-ceiling installation
 EAN 4007841 079604
 Article number 079604



ultrasonic sensor
360°



3 x 18 m



KNX 4 channel



IP20



ideal 2,5 - 3,5 m



indoor sensor



iQ-mode

Teach

Teach mode



energy saving

5 years

manufacturer's
warranty steinel-
professional.de/
garantie

Function description

Watches over the entire corridor. And can see around corners. Dual US KNX ultrasonic motion detector, ideal for corridors and passageways. Reliable detection within 18 m, envelops objects as opposed to penetrating them, detection regardless of temperature, electronically adjustable reach, with digital BUS interface for controlling 4 lighting channels and HVAC.

Technical specifications

Dimensions (L x W x H)	109 x 120 x 120 mm	Optimum mounting height	2,8 m
With motion detector	Yes	Ultrasonic technology	40 kHz
Manufacturer's Warranty	5 years	Detection angle	Aisle, 360 °
Settings via	ETS software, Remote control, Bus, Smart Remote	Angle of aperture	180 °
With remote control	Yes	Sneak-by guard	Yes
Version	KNX - in-ceiling installation	Capability of masking out individual segments	No
PU1, EAN	4007841079604	Electronic scalability	Yes
Type	Presence detector	Mechanical scalability	No
Application, place	Indoors	Reach, radial	18 x 3 m (54 m ²)
Application, room	corridor / aisle, Indoors	Reach, tangential	18 x 3 m (54 m ²)
Colour	white	Twilight setting	10 – 1000 lx
Colour, RAL	9010	Time setting	0 s – 1092 Min.
Includes corner wall mount	No	Basic light level function	Yes
Installation site	ceiling	Basic light level function time	1-255 min
Installation	In-ceiling installation, Ceiling	Main light adjustable	0 - 100 %
IP-rating	IP20	Twilight setting TEACH	Yes

Dual US

V3 KNX - in-ceiling installation
EAN 4007841 079604
Article number 079604



Technical specifications

Ambient temperature	from -25 up to 55 °C
Material	Plastic
Mains power supply	30 V
Power consumption	0,7 W
With bus coupling	Yes
Technology, sensors	Photo-cell controller, Ultrasonic
Mounting height	2,50 – 3,5 m
Mounting height max.	3,50 m

Constant-lighting control	Yes
KNX functions	Photo-cell controller, Basic light level function, Light level, HVAC output, Constant-lighting control, Light output 4x, Presence output, Day / night function, Logic gate
Interconnection	Yes
Type of interconnection	Master/master, Master/slave
Interconnection via	KNX bus
Rated current	17,5 mA
Product category	Presence detector

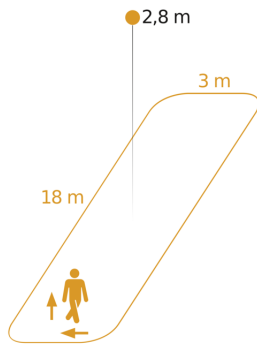
Accessories

EAN 4007841 003036	Control PRO guard cage
EAN 4007841 009151	Remote control Smart Remote
EAN 4007841 593018	Service remote control RC6 KNX
EAN 4007841 592912	User remote control RC7 KNX

Dual US

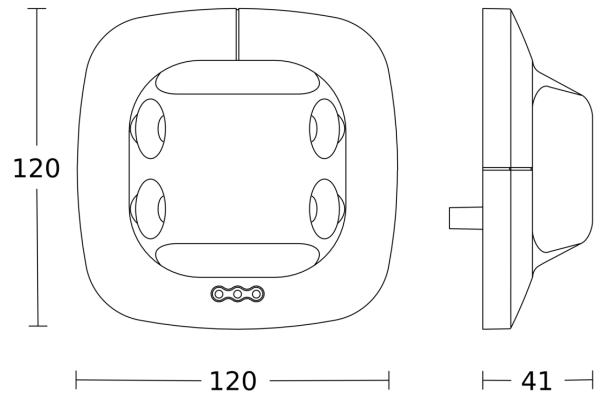
V3 KNX - in-ceiling installation
EAN 4007841 079604
Article number 079604

Detection Zone



Possible mounting height: 2,50 m - 3,50 m
Orange: radial and tangential

Dimension Drawing 1



Dimension Drawing 2

